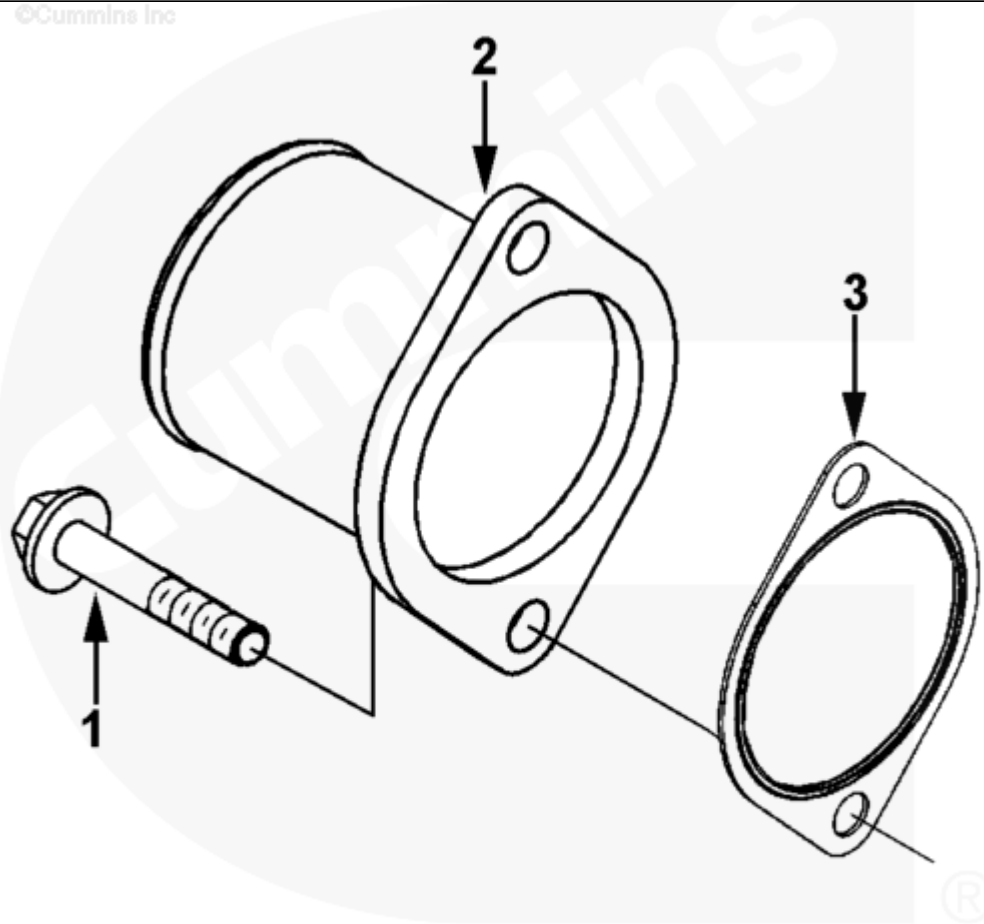




Parts Catalog - Option Detail

Electronic Parts Catalog - Option Detail				
Option	Group	Graphic	Film Card	Date
WO9004	08.07.1	wo950go	Z	20-SEP-95
Engines	6C8.3, C GAS PLUS CM556, G8.3, G8.3 CM558, GTA8.3 CM558, ISC CM2150, ISC CM554, ISC CM850, ISC8.3 CM2250, ISC8.3 G CM2180 C101, ISL CM2150, ISL CM554, ISL CM850, ISL G CM2180, ISL8.9 CM2150 L110, ISL8.9 CM2880 L112, ISL9 CM2150 SN, ISL9 CM2250, ISL9 CM2350 L101, ISL9 CM2350 L111, ISLE4 CM850, L GAS PLUS CM556, L8.9, L8.9 L121, L8.9G CMOH2.0 L125B, L9 CM2350 L116B, L9 CM2350 L119B, L9 CM2350 L120C, L9 CM2350 L123B, L9.3 L105, L9.5 L117, L9N CM2380 L124B, QSC8.3 CM2250, QSC8.3 CM2880 C102, QSC8.3 CM554, QSC8.3 CM850(CM2850), QSL9 CM2250, QSL9 CM2250 L115, QSL9 CM2350 L102, QSL9 CM2350 L107, QSL9 CM2350 L118, QSL9 CM2350 L122, QSL9 CM554, QSL9 CM850(CM2850), QSL9 G CM558, QSL9 M CM2250 L106, QSL9.3 CM2880 L113			



wo950go

[SMALL](#) | [MEDIUM](#) | [LARGE](#)

Cart	Ref No	Part Number	Part Description	Required	Remarks

[View My Cart](#)

		WO9004	Water Outlet Connection		MR - CONNECTION, WATER OUTLET... (More)
					Connection Type: Straight
					Engine Design Phase: Current
					Product
					Connection OD (mm): 57.15
					Vent Fitting Included: No
					Water Outlet Bolt Spread
					(mm): 100
					Mounting Flange to Connection
					End (mm): 100 (3.94 in.)
					Engine Family: C Series
<input type="checkbox"/>	1	3906715	Hexagon Flange Head Cap Screw	2	M8 x 1.25 x 95
<input type="checkbox"/>	2	3924591	Water Outlet Connection	1	
<input type="checkbox"/>	3	3918779	Connection Gasket	1	